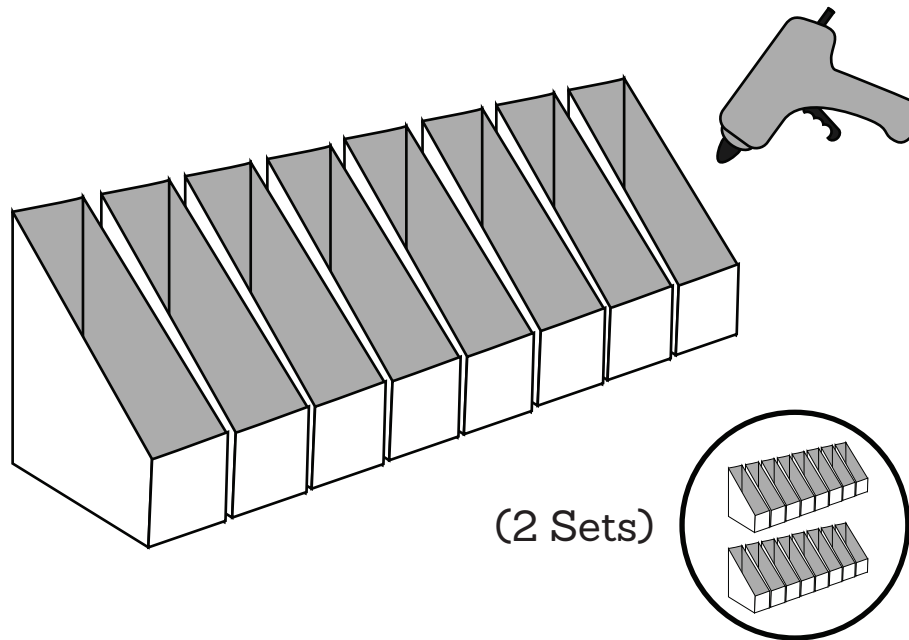


STEP 1

Side 1 and 2

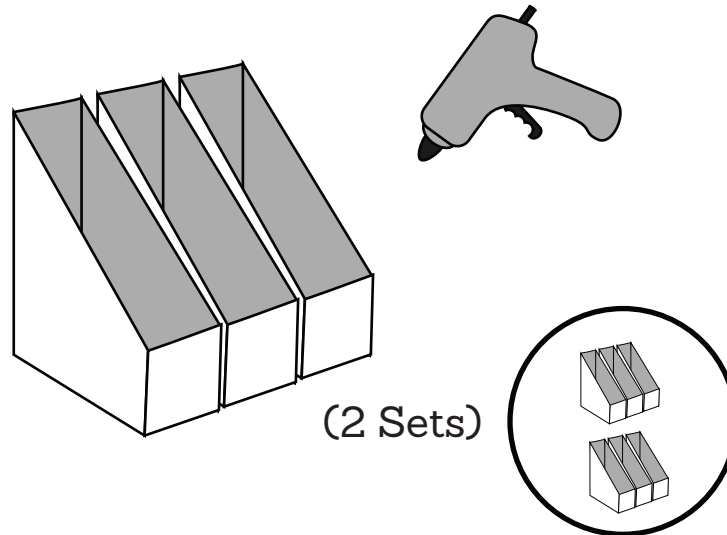
Glue 8 cardboard magazine/file boxes together for each 2 sides
(I used hot glue, but any tough/super glue would work)



STEP 2

Side 3 and 4

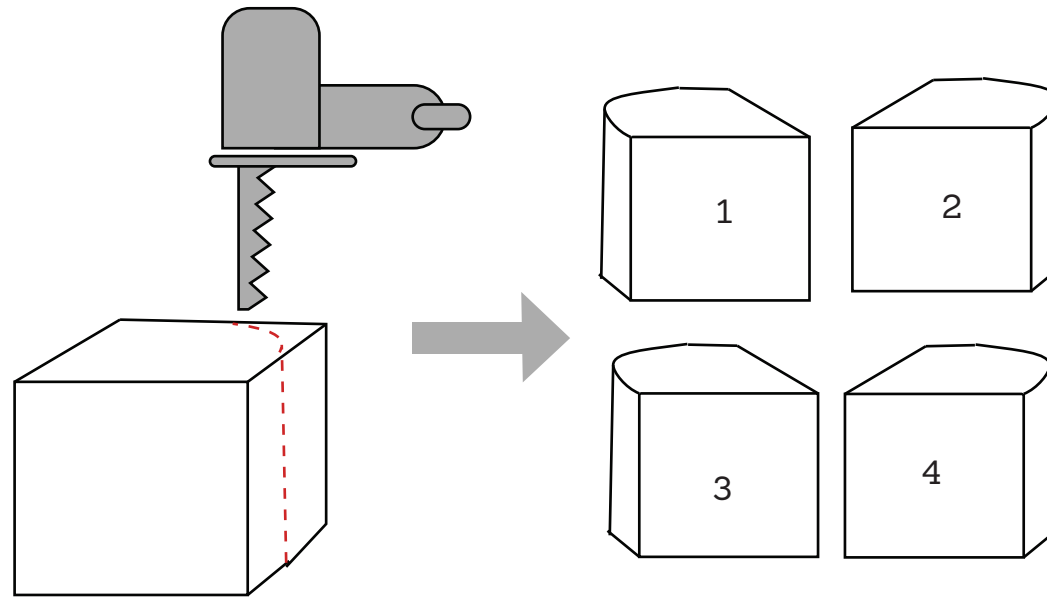
Glue 3 cardboard magazine/file boxes together for each 2 sides



STEP 3

4 Corners

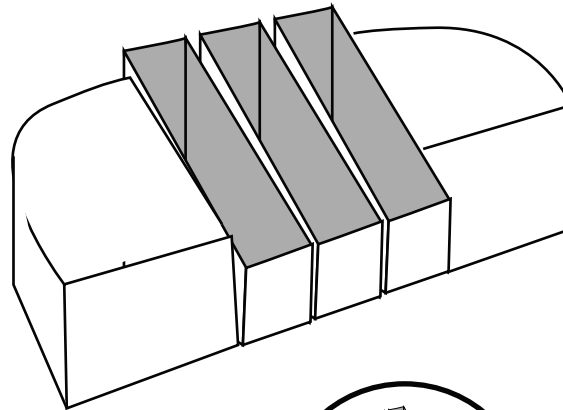
I had some large, firm styrofoam chunks leftover from packages I had received. I rounded out the corners using a jigsaw.



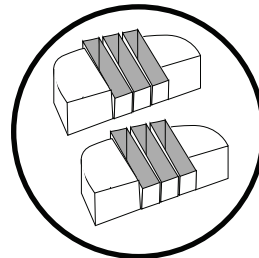
STEP 4

Assemble Sides 3 and 4

Glue corners to each of the two 3 box sides



(2 Sets)

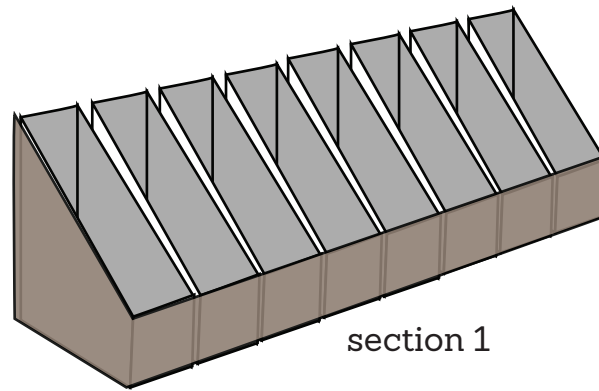
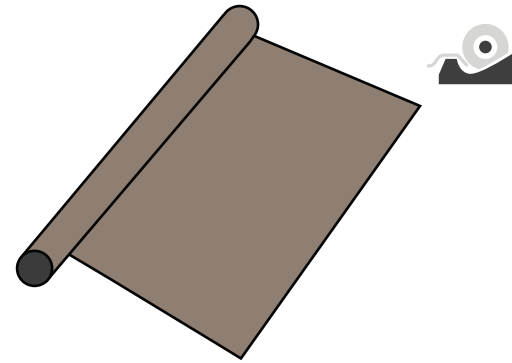


www.alilcurious.com

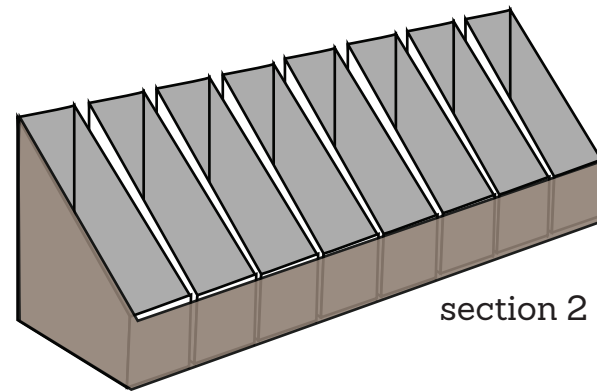
STEP 5

Wrap

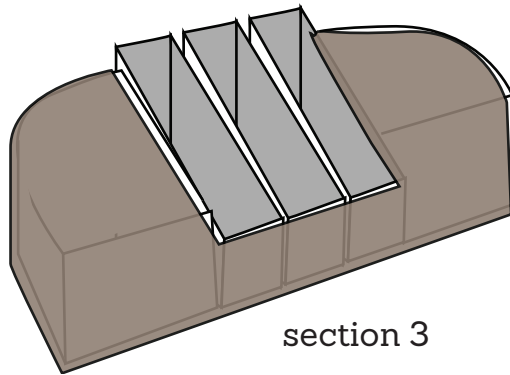
Wrap the EXTERIOR each of the 4 sections individually in kraft paper like you would a present.



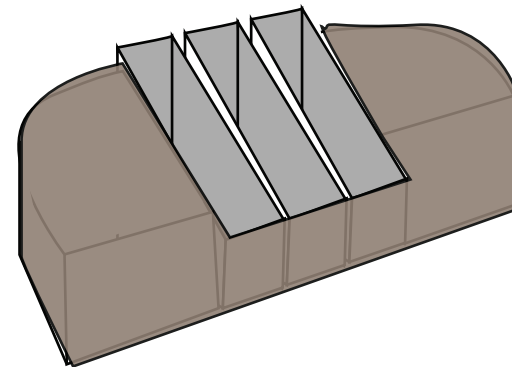
section 1



section 2



section 3



section 4



STEP 6

Add stadium lip

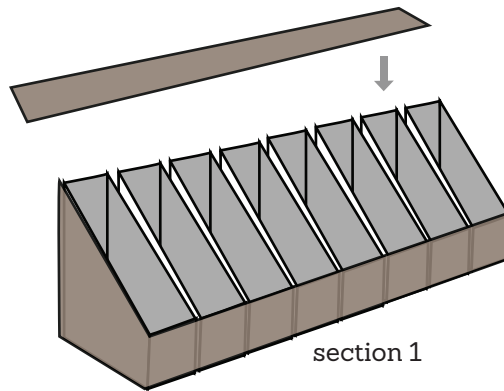
Cut two 24" x 3" strips from a sheet of cardboard:



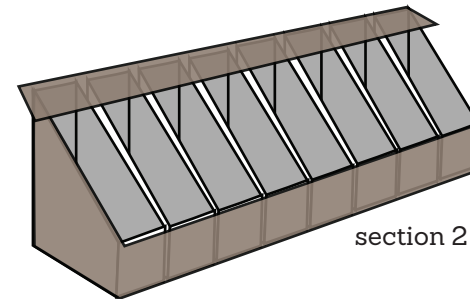
Cut two 13" x 3" strips from a sheet of cardboard:



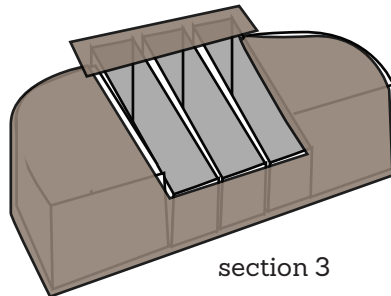
Glue strips of cardboard to the top of each stadium section:



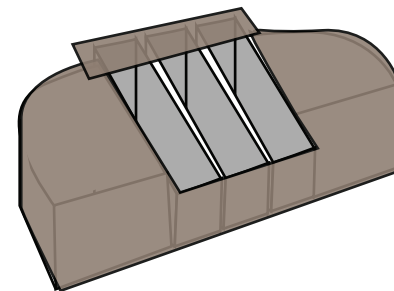
section 1



section 2



section 3



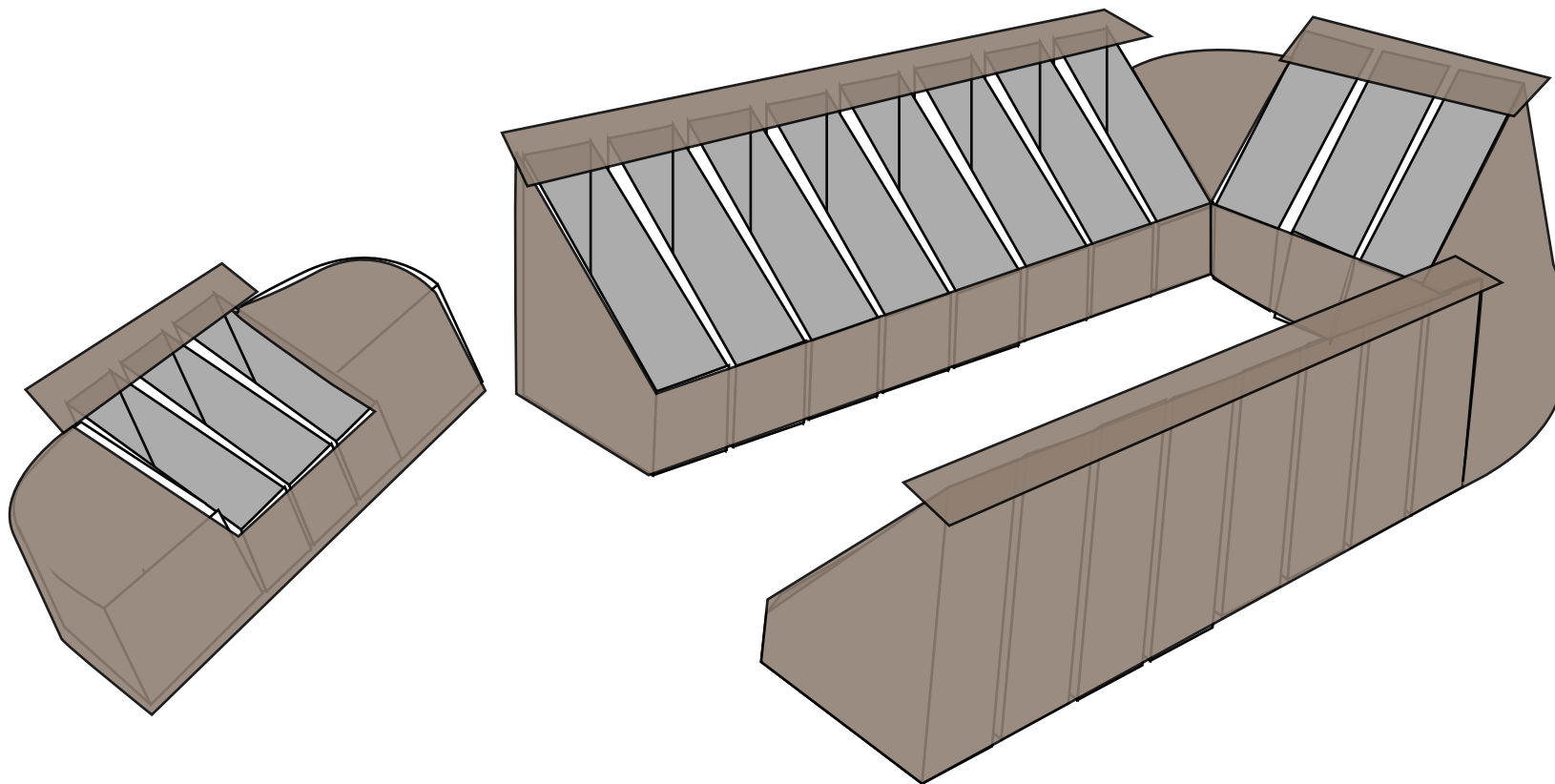
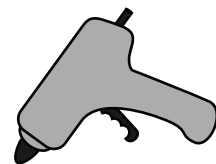
section 4



STEP 7

Assemble

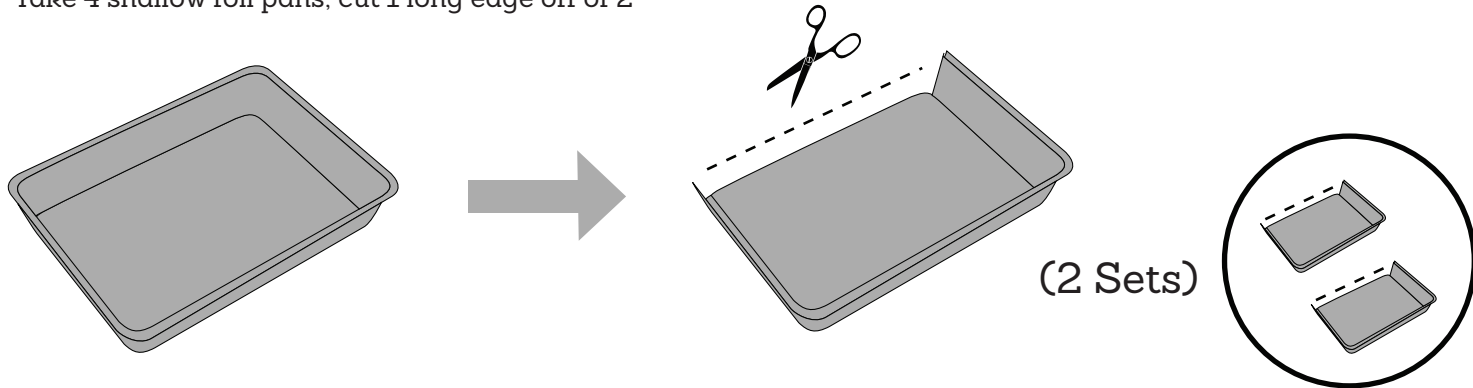
Glue the 4 sides together, forming the stadium foundation.



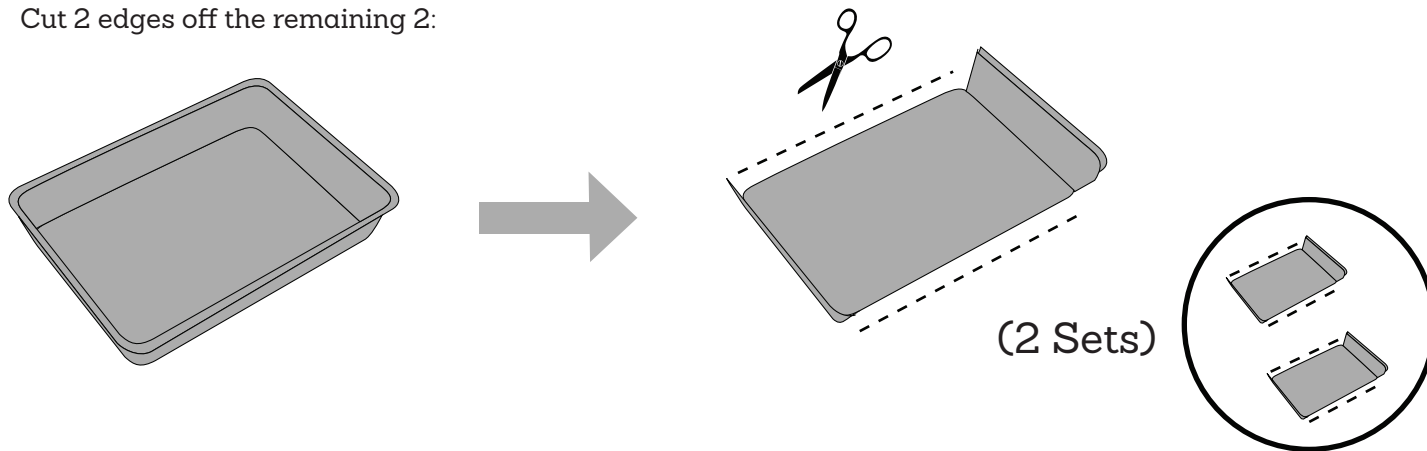
STEP 8

Part 1: Assemble the field

Take 4 shallow foil pans, cut 1 long edge off of 2



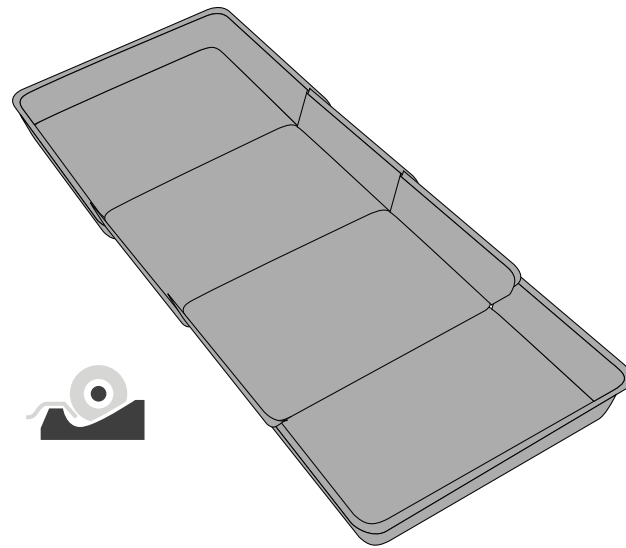
Cut 2 edges off the remaining 2:



STEP 9

Part 3: Assemble the field

Tape all 4 sections together:
(Tape from the bottom)



Once assembled, place in center of stadium!



www.alilcurious.com



Extras:

- Glue checked basket buddy paper to insides of boxes
- Add Super Bowl Team Helmets to exterior
- Make stadium lights out of kabob sticks, rectangular strips of cardboard, and Hershey Kisses®
- Create a parking lot with cars made from miniature chocolates glued on top of Tootsie Rolls®
- Make stadium posts from Slim Jims® and toothpicks.

